



AVC-NAE41F28 AI

NDA
COMPLIANT | CE | FC

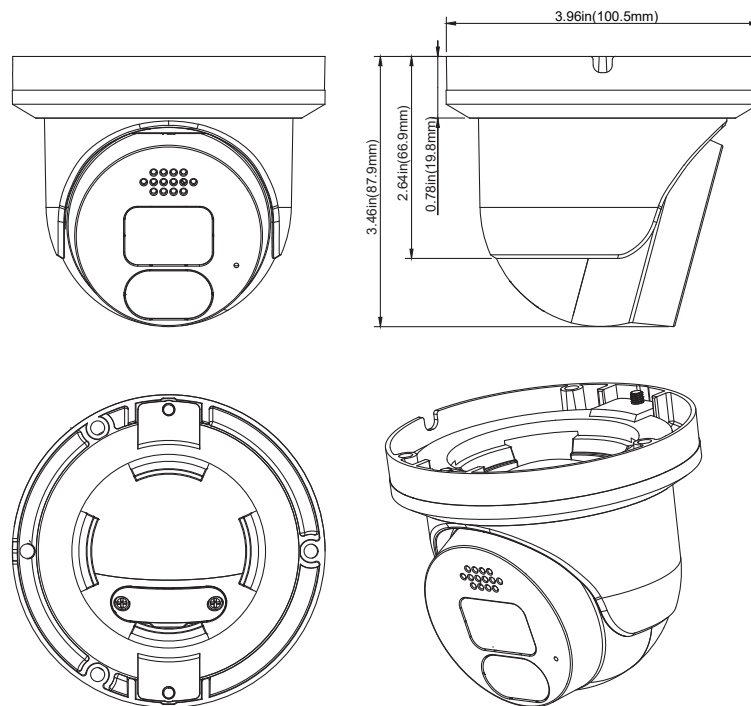
4MP SMART DEFENDER INFINITECOLOR TURRET NETWORK CAMERA

DIMENSIONS

Unit : inch(mm)

OVERVIEW

- 4MP (2560x1440) @25fps H.265/ H.254
- Full Color Smart Defender Camera
- 2.8mm Fixed Lens (F1.0)
- 3D DNR, D-WDR
- White Light LED / Strobe (Blue & Red) Light
- Built-in MIC / Speaker
- Built-in Micro SD card slot (up to 512GB)
- AI Feature : Intrusion Detection, Tripwire Counting, Loitering Detection, Region Entrance / Exiting Detection
- IP67 ingress protection
- PoE / DC12V Power supply
- Support remote monitoring by AVYCON ONE (Mobile APP) and AVYCON CMSONE (CMS)



OPTIONAL ACCESSORIES



AVM-JB-BE-S2
JUNCTION BOX



AVM-CWM-EV-S2
COMPACT
WALL MOUNT



AVM-HWM-E-S2
WALL MOUNT
WITH JUNCTION BOX



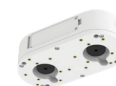
AVM-HCM-E-S2
CEILING MOUNT
WITH JUNCTION BOX



AVM-CRM-A1
CORNER
MOUNT BRACKET



AVM-P-POM-A2
POLE
MOUNT BRACKET



AVM-JB-DUAL-US1
DUAL JUNCTION BOX

SPECIFICATIONS

VIDEO	
Imaging Device	1/3"
Effective Pixels	4MP 2560(H)×1440 (V)
Scanning System	Progressive CMOS
Min. Illumination	Color 0.002 Lux @ (F1.0, AGC ON) ; B/W 0 lux @ IR ON
LENS TYPE	
Focal Length (Zoom Ratio)	2.8mm Fixed
Max. Aperture Ratio	F No. 1.0
Angular Field of View	Horizontal:95°, Vertical:51°, Diagonal: 112°
Min. Object Distance	6.56ft(2m)
Lens Type	Fixed(M12)
OPERATIONAL	
IR LED	1
White Light	2
Red Blue Light	2 (1 Red&1 Blue)
IR Viewable Length	Up to 82ft(25m)
White Light Viewable Length	Up to 65ft(20m)
Type of Complementary Light	Default white light, switchable infrared light
Motion Detection	Smart Motion Detection (Pedestrian & Vehicle Detection)
Wide Dynamic Range	DWDR
Digital Noise Reduction	3D DNR
Day & Night	Full Color (default) / Day&Night / Smart Illumination
White Balance	Auto/Manual
Electronic Shutter Speed	1/5 ~ 1/20000s
Edge Storage	Micro SD/SDHC/SDXC Slot (512GB)
Alarm Event	Warning Light, Siren, E-mail Notification, Event Push, Micro SD recording
Audio I/O	Built-in MIC / Built-in Speaker
Hardware Reset	Yes
Smart Feature	Intrusion Detection (ID), Tripwire Counting (TC), Loitering Detection (LD), Region Entrance / Exiting Detection
NETWORK	
Ethernet	RJ45(10/100BASE-T)
Video Compression Format	H.265/H.264
Resolution	Main Stream@25fps : 4MP(2560x1440) Sub Stream@25fps : VGA(640x480)
Video Quality Adjustment	512Kbps ~ 4Mbps
Bitrate Control Method	CBR/VBR
IP	IPv4
Protocol	TCP/IP, HTTP, DHCP, DNS, DDNS, RTP/RTSP, SMTP, NTP, HTTPS
Application Programming Interface	ONVIF, REST API
Web Viewer	IE10,11
ENVIRONMENTAL	
Operating Conditions	-31~140F(-35~+60°C)/less than ~ 90% RH
Ingress Protection	IP67
ELECTRICAL	
Input Voltage / Current	D12V/PoE(IEEE802.3af)
Power Consumption	DC12V : max 7W ; PoE (48V): max 8.3W
MECHANICAL	
Material	Metal
Dimensions(HxWxD)	3.96 x 3.46in (100.5 x 87.9mm)
Weight	0.68lb(312g)